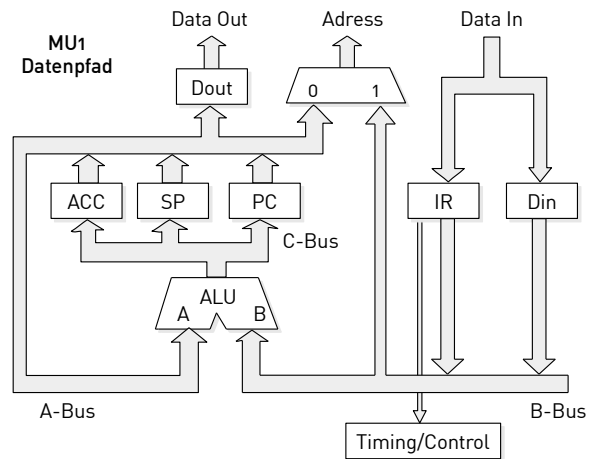
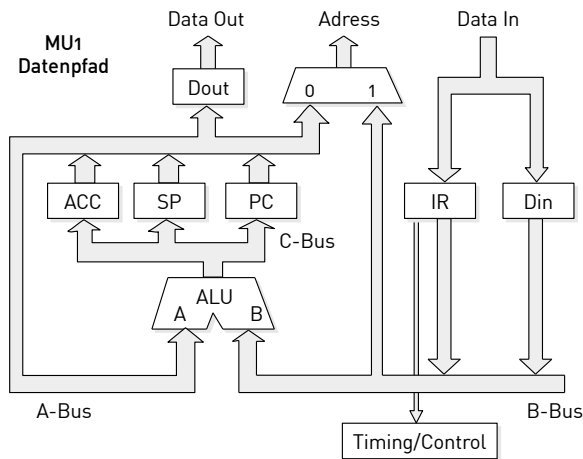
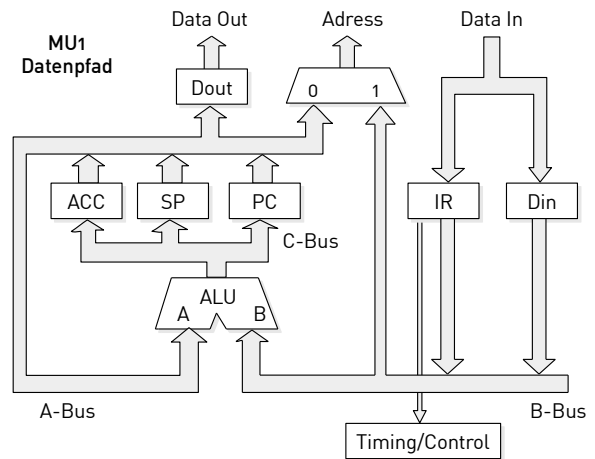
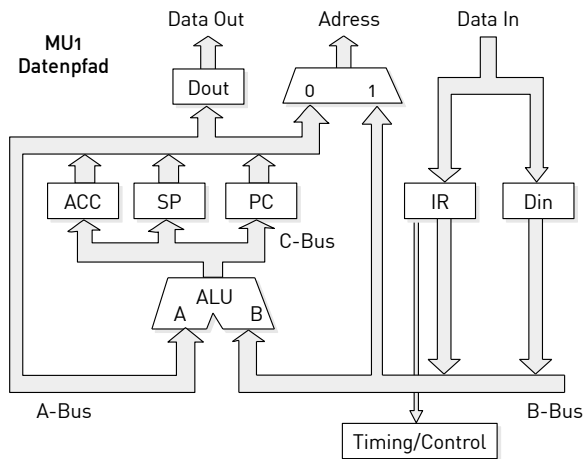


Befehl:



Inputs		Outputs														Description	
Instruction	Opcode	ACC _{oe}	ACC _{ie}	PC _{oe}	PC _{ie}	IR _{oe}	IR _{ie}	SP _{oe}	SP _{ie}	DIN _{oe}	DIN _{ie}	DOUT _{oe}	DOUT _{ie}	ALU Function	MEM _{rq}	RnW	
	/Reset																
	Step																
	ACC _z /Zero																
	ACC ₁₅ /Negativ																